



ISM

SINCE 1914

ABOUT THE COMPANY

ISM Magen Goldman was established in 1914 and already by the 1930's the company's factory had become the leader of the safe & vault industry throughout the Middle East. Since the 1950's the company has been marketing its products throughout the world, especially in the United States.

Since its establishment, ISM Magen Goldman has invested heavily in the development of its products and is responsible for numerous developments and innovations in the fields of safes engineering and security. Today ISM Magen Goldman is among the world leaders in the safe & vault industry with numerous inventions and registered patents in its name.

Thanks to many years of striving for excellence ISM Magen Goldman is the only company in the world which is approved by Underwriters Laboratories (UL) for the TRTL-60x6 standard, the highest burglary resistant rating for safes!

The company manufactures a wide range of high security safes with various levels of protection, vault and security doors and modular panels for treasury and security rooms. The company's products meet the most stringent Israeli, American and European standards and are manufactured using the best available materials and the most advanced methods. ISM Magen Goldman has extremely high manufacturing capabilities as well as experienced development, engineering and quality control teams which allow the company to produce high security custom made safes in a wide range of levels of protection and configurations and provide technological solutions to our corporate and private clients.

Today, with a century of experience and knowledge in safe and vault manufacturing, ISM Magen Goldman maintains their tradition of excellence, ingenuity and innovation as a world leader in protection technology and reliable secured storage solutions. Since having acquired a worldwide reputation in high quality security products, ISM continues to invest in development and perfection of its products in order to incorporate the latest technological advancements for its customers varying security needs.

Protecting your valuables & assets, providing peace of mind.

OUR HISTORY

Jacob Goldman immigrated with his parents to Israel in 1907. He studied at Beit-Midrash (religious school) "Gates of Torah" and was a frequent visitor to the home of Rabbi Kook, which advocated the studying of handicrafts and trades as well as Torah. The influence of Rabbi Kook was introduced in the Beit-Midrash learning workshop, which had developed and transformed into the 'School of Crafts - Gates of Torah'. In the workshop of the school, Mr. Jacob Goldman produced his first fire-resistant iron safes.

Following the success of his safes, Mr. Goldman founded the company 'Magen Industries' which has produced iron safes and fire-resistant cabinets. The company's products were bought by banks, hospitals jewelers and were distributed throughout the Middle East. Later 'Magen Industries' has produced and built armored treasure rooms in most banks in the country and as well in other countries in the Middle East such as Egypt and Persia. The company's safes earned gold medals at exhibitions 'Made in Israel' conducted in years 1932, 1934 and 1936.

In 1945 'Magen Industries' formed partnership relations with the British firm 'Chatwood'. Both companies specialize in the manufacturing of iron and steel safes and in 1946 formed the company 'Magen-Chatwood' and built a large factory. 'Magen-Chatwood' was the only company of its kind in the country with regard to safes and through the partnership with the British company purchased equipment and raw materials in the UK, especially what was left of the military industry during the years of world-war II. Thus the way was opened for the company, with the outbreak of the Israeli Independence War, to establish a new wing at the factory and the workers of 'Magen-Chatwood' began producing steel plates and protection armor for the vehicles of the new army. At the end of the Independence War it was converted into a production line to manufacture chassis for buses.

In 1953 the competitors of 'Magen-Chatwood' for bus chassis manufacturing, the cooperative 'Merkavim', procured the division of a bus chassis manufacturing of 'Magen-Chatwood' and took over the industry in the country. Mr. Jacob Goldman bought from his partners the safes & vaults division and named it 'ISM Magen Goldman'.

Since then the company invested heavily in the development of its products and it is responsible for a large number of patents, developments and innovations in engineering of safes and mechanisms as well as vaults construction.

Today ISM Magen Goldman is among the world leaders with a number of patents of its own and serves as a role model throughout the world. Thanks to many years of striving for excellence ISM Magen Goldman owns a global reputation and is a world leader in protection technology and production of safes and vaults.

INTERNATIONAL STANDARDS

The various standards existing, in terms of classifying and rating safes specifications, define and rank the level of protection and durability for burglary-resistant safes, with reference to two variables: the tools used to carry out the attack on the safe, and the amount of time needed to breach the safe. ISM manufactures safes which holds the most stringent American / European standards and is the only safes manufacturing company in the world to be approved for the highest U.L. standard for torch and tool resistant safes - class TRTL-60x6.

American Standards

Certified and approved by Underwriters Laboratories (UL)

UL 687

- Tool-Resistant Safes - Class TL-30
- Tool-Resistant Safes - Class TL-30x6
- Torch & Tool-Resistant Safes - Class TRTL-30x6
- Torch & Tool-Resistant Safes - Class TRTL-60x6



European Standards

Certified and approved by VdS, Germany

EN1143-1

- Safes - Class V - including double doors. Any size up to 2.5 Meter High.
- Strongroom Panels - Class X - XII



"The complete line of ISM products are a new concept in security
The physical construction, use of composite materials and a unique locking mechanism
all combine to create a maximum security barrier
against all forms of modern burglary attacks..."

U.L. RATED SAFES

SPECIFICATIONS



ISM safes USA Inc
1881 Route 46 Ledgewood, NJ 07852
www.ismsafes-usa.com

ISM

SINCE 1914

BULLION TL-30



Special Features: 2 hour, 350°F factory fire rating.

Body & Door: Multi-layered structure that combines outer and inner steel plates enclosing a monolithic casting of specialized concrete mixed with ISM's unique anti-penetration composite material. The door is reinforced with ISM's patented anti-penetration alloy grid, providing high protection against concentrated attacks with mechanical and electrical tools.

Bolts & Locking Mechanisms: Three-way active boltwork. Double-action locking mechanism. Glass plate relocking protection on all locks.

Locks: Two UL approved locks. Mechanical or digital combination lock and a high security key lock.

Interior Fitting: Adjustable removable shelves. A hole for an alarm system connection - optional.

BULLION TL-30

U.L. APPROVED TL-30

High protection against concentrated attacks with mechanical and electrical tools.



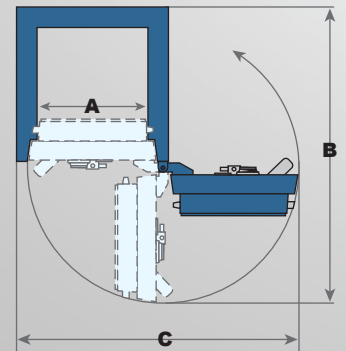
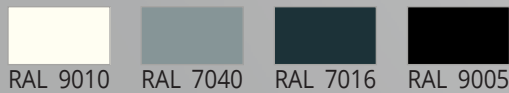
-  Glass Plate Relocking Protection
-  Multi Layered Structure
-  Reinforced Bolt Cylinders
-  4-Way Bolts Engagement
-  Special Alloy Grid
-  Double Locking Protection



Model	Inside Dimensions			Outside Dimensions			Volume CuFt	Weight* Lbs	Door Swing			Shelves
	H	W	D	H	W	D			A	B	C	
BU251816	25	18	16	31.25	24.25	27.25	4.2	1230	18	50	44.5	1
BU352120	35	21	20	41.25	27.25	31.25	8.5	1820	21	57	50.5	1
BU352420	35	24	20	41.25	30.25	31.25	9.7	1940	24	60	56.5	1
BU452120	45	21	20	51.25	27.25	31.25	10.9	2160	21	57	50.5	2
BU452420	45	24	20	51.25	30.25	31.25	12.5	2300	24	60	56.5	2
BU552120	55	21	20	61.25	27.25	31.25	13.4	2500	21	57	50.5	3
BU552420	55	24	20	61.25	30.25	31.25	15.3	2660	24	60	56.5	3
BU602120	60	21	20	66.25	27.25	31.25	14.6	2670	21	57	50.5	3
BU602124	60	21	24	66.25	27.25	35.25	17.5	2910	21	61	50.5	3
BU652818	65	28	18	71.25	34.25	29.25	19.0	3270	28	62	64.5	4
BU723626	72	36	26	78.25	42.25	37.25	39.0	4710	36	78	80.5	4

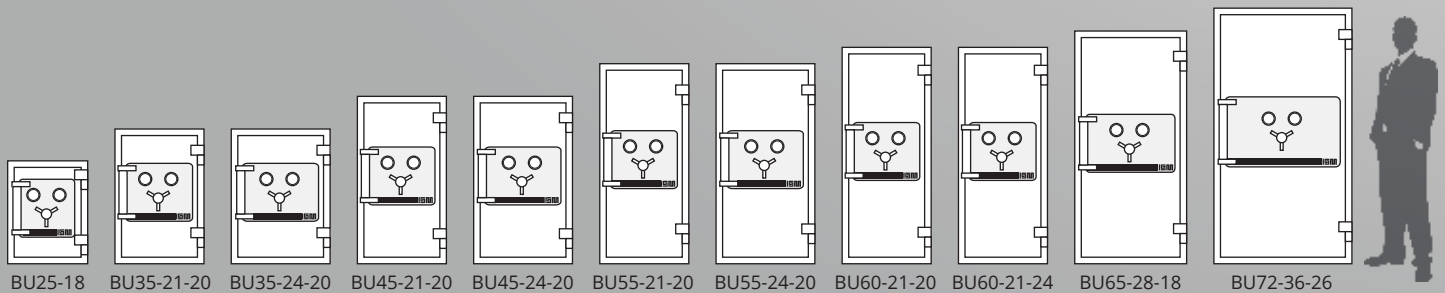
- * Weight Tolerance - 5%.
- ** Dimensions Tolerance - ±0.5".
- *** Add 2" to outside depth for 3-Spokes Operating Handle.
- **** Add 3.55" to outside depth for Pull-Handle.

Colors:



Add Ons:

- Left Swing - Optinal - No charge
- Preparation (only) for movement time-lock - No charge - By Request
- Custome interior secured compartments - By Request
- Additional shelves - By Request



ULTRA VAULT TL-30X6



Special Features: 2 hour, 350°F factory fire rating.

Body & Door: Multi-layered structure that combines outer and inner steel plates, reinforced steel bars and monolithic casting of specialized concrete mixed with ISM's unique anti-penetration composite material. Both body and door are reinforced with ISM's patented anti-penetration alloy grid.

Bolts & Locking Mechanisms: Three-way active boltwork. Double-action locking mechanism. Glass plate relocking protection on all locks.

Locks: Two UL approved locks. Mechanical or digital combination lock and a high security key lock.

Interior Fitting: Adjustable removable shelves. A hole for an alarm system connection - optional.

ULTRA VAULT TL-30x6

U.L. APPROVED TL-30X6

Six-sided protection against concentrated attacks with mechanical and electrical tools. The same high quality construction as the highest rated safes at an affordable price.

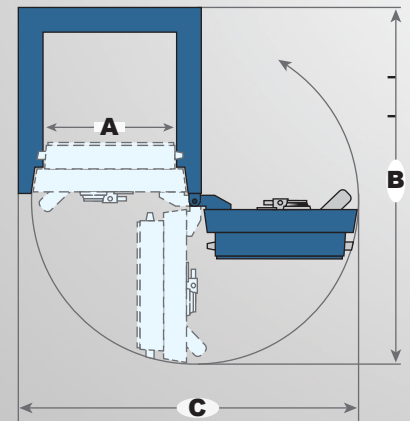
-  Glass Plate Relocking Protection
-  Multi Layered Structure
-  Reinforced Bolt Cylinders
-  4-Way Bolts Engagement
-  Special Alloy Grid
-  Double Locking Protection



Model	Inside Dimensions			Outside Dimensions			Volume CuFt	Weight* Lbs	Door Swing			Shelves
	H	W	D	H	W	D			A	B	C	
UV251916	25	19	16	31.5	25.5	27	4.4	1370	19	51	47	1
UV342018	34	20	18	40.5	26.5	29	7.1	1800	20	54	49	1
UV462018	46	20	18	52.5	26.5	29	9.6	2220	20	54	49	2
UV592018	59	20	18	65.5	26.5	29	12.3	2670	20	54	49	3
UV592023	59	20	23	65.5	26.5	35	15.7	3040	20	60	49	3
UV633218	63	32	18	69.5	38.5	29	21.0	3550	32	66	73	3
UV683626	68	36	26	74.5	42.5	37	36.8	4690	36	78	81	4

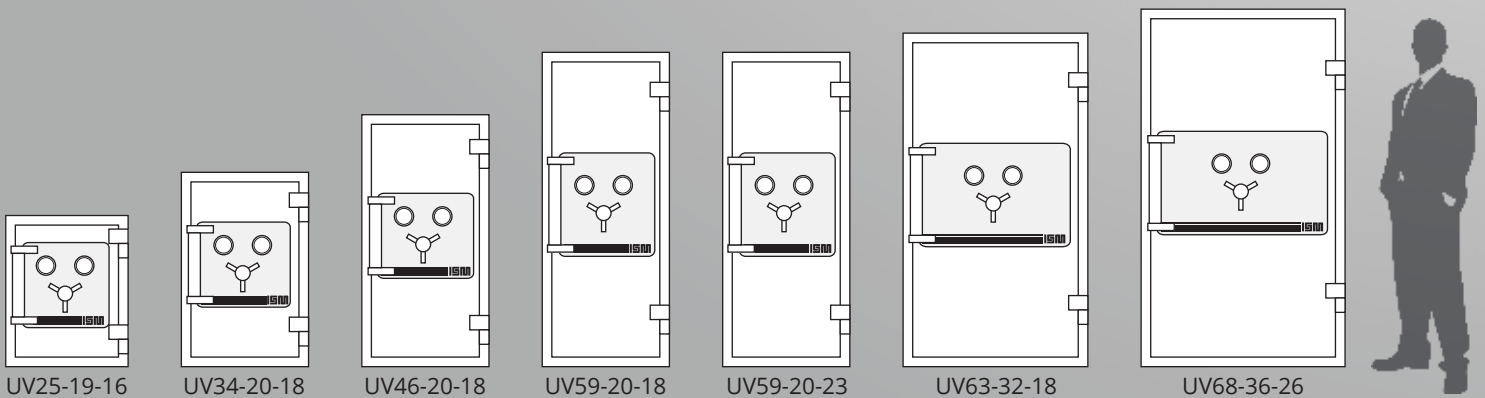
- * Weight Tolerance - 5%.
- ** Dimensions Tolerance - $\pm 0.5"$.
- *** Add 2" to outside depth for 3-Spokes Operating Handle.
- **** Add 3.55" to outside depth for Pull-Handle.

Colors:



Add Ons:

- Left Swing - Optinal - No charge
- Preparation (only) for movement time-lock - No charge - By Request
- Custome interior secured compartments - By Request
- Additional shelves - By Request



SUPER TREASURY TRTL-30X6



Body & Door: Multi-layered structure that combines outer and inner steel plates, reinforced steel bars and a monolithic casting of Alchronite, ISM's patented torch and drill resistant composite material, embedding a layer of ISM's patented anti-penetration alloy grid.

Bolts & Locking Mechanisms: Three-way active boltwork. Double-action locking mechanism. Glass plate reloading protection on all locks.

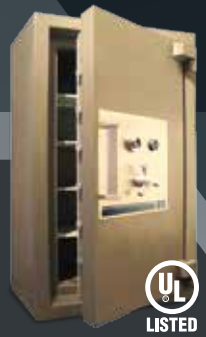
Locks: Two UL approved locks. Mechanical or digital combination lock and a high security key lock.

Interior Fitting: Adjustable removable shelves. A hole for an alarm system connection - optional.

SUPER TREASURY TRTL-30x6

U.L. APPROVED TRTL-30X6

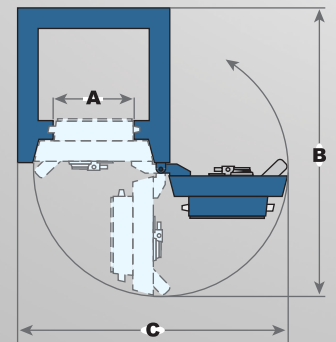
Super strong, six-sided protection against concentrated attacks with mechanical and electrical tools and oxy-acetylene torches.



Model	Inside Dimensions			Outside Dimensions			Volume CuFt	Weight* Lbs	Door Swing			Shelves
	H	W	D	H	W	D			A	B	C	
ST191616	19	16	16	26	23	28	2.8	1260	14	48.5	41	1
ST271916	27	19	16	34	26	28	4.8	1670	17	51.5	47	1
ST272617	27	26	17	34	33	29	6.9	2010	24	59.5	61	1
ST332020	33	20	20	40	27	32	7.6	2140	18	56.5	49	1
ST332617	33	26	17	40	33	29	8.4	2270	24	59.5	61	1
ST442023	44	20	23	51	27	35	11.7	2770	18	59.5	49	2
ST442617	44	26	17	51	33	29	11.3	2750	24	59.5	61	2
ST552023	55	20	23	62	27	35	14.6	3250	18	59.5	49	2
ST552617	55	26	17	62	33	29	14.1	3220	24	59.5	61	2
ST642023	64	20	23	71	27	35	17.0	3640	18	59.5	49	3
ST642617	64	26	17	71	33	29	16.4	3610	24	59.5	61	3
ST683119	68	31	19	75	38	31	23.2	4330	29	66.5	71	4
ST683626	68	36	26	75	43	38	36.8	5330	34	78.5	81	4

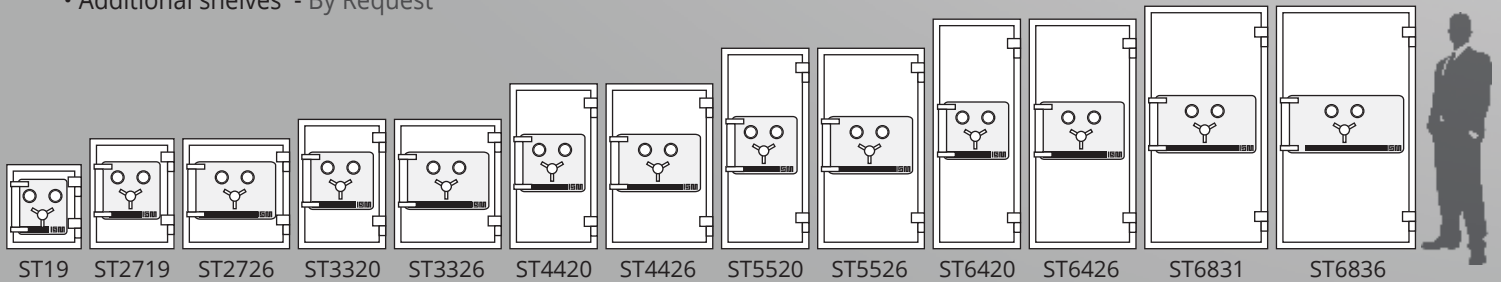
- * Weight Tolerance - 5%.
- ** Dimensions Tolerance - ±0.5".
- *** Add 2" to outside depth for 3-Spokes Operating Handle.
- **** Add 3.55" to outside depth for Pull-Handle.

Colors:



Add Ons:

- Left Swing - Optinal - No charge
- Preparation (only) for movement time-lock - No charge - By Request
- Custome interior secured compartments - By Request
- Additional shelves - By Request



SUPER PLATINUM TRTL-60X6

THE ONLY
U.L. APPROVED
TRTL-60X6 SAFE
IN THE WORLD!



Body & Door: Multi-layered structure that combines outer and inner steel plates, reinforced steel bars and a monolithic casting of Alchronite, ISM's special torch and drill resistant composite material, embedding a layer of ISM's patented anti-penetration alloy grid.

Bolts & Locking Mechanisms: Three-way active boltwork. Double-action locking mechanism. Glass plate reloading protection on all locks.

Locks: Two UL approved locks. Mechanical or digital combination lock and a high security key lock.

Interior Fitting: Adjustable removable shelves. A hole for an alarm system connection - optional.

SUPER PLATINUM TRTL-60x6

U.L. APPROVED TRTL-60X6

ISM's top of the line maximum burglary resistant security safe. SUPER PLATINUM was created as a result of ISM's conviction to create the world's best high security safe.



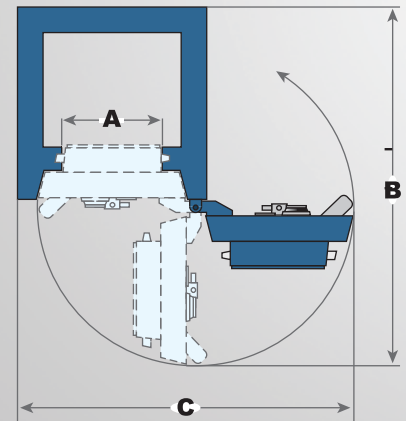
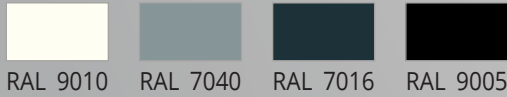
-  Glass Plate Relocking Protection
-  Multi Layered Structure
-  Reinforced Bolt Cylinders
-  4-Way Bolts Engagement
-  Special Alloy Grid
-  Double Locking Protection



Model	Inside Dimensions			Outside Dimensions			Volume CuFt	Weight* Lbs	Door Swing			Shelves
	H	W	D	H	W	D			A	B	C	
SPL262316	26	23	16	36	33	30	5.5	2200	20.5	59.5	60	1
SPL352416	35	24	16	45	34	30	7.8	2750	21.5	60.5	62	2
SPL552616	55	26	16	65	36	30	13.2	3950	23.5	62.5	66	2
SPL652916	65	29	16	75	39	30	17.5	4700	26.5	65.5	72	3
SPL673623	67	36	23	77	46	37	32.1	6150	33.5	79.5	86	4

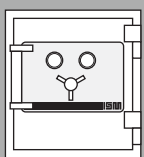
- * Weight Tolerance - 5%.
- ** Dimensions Tolerance - ±0.5".
- *** Add 2" to outside depth for 3-Spokes Operating Handle.
- **** Add 3.55" to outside depth for Pull-Handle.

Colors:

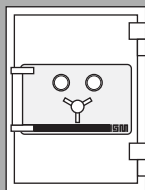


Add Ons:

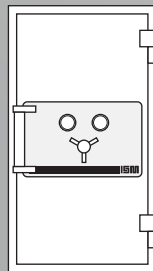
- Left Swing - Optinal - No charge
- Preparation (only) for movement time-lock - No charge - By Request
- Custome interior secured compartments - By Request
- Additional shelves - By Request



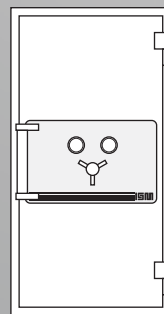
SPL-26-23-16



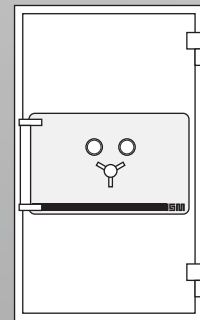
SPL-35-24-16



SPL-55-26-16



SPL-65-29-16



SPL-67-36-26



CUSTOM FABRICATION

HIGH SECURITY SAFES



ISM safes USA Inc
1881 Route 46 Ledgewood, NJ 07852
www.ismsafes-usa.com

ISM

SINCE 1914

CUSTOM-MADE HIGH SECURITY BURGLARY RESISTANT SAFES



* Custom-Made. TXTL-60X6 Safe.

ISM is a world leader in the safe & vault industry with over a century of experience in safe and vault manufacturing. Our high security safes are approved according to the highest American and European standards.

ISM's high security safes can be custom-fabricated to the requirements, security needs and personal style of our corporate and private clients.



* Custom-Made. TRTL-15 Safes.

Our safes are manufactured using the most advanced methods and best available materials. ISM's highly experienced team of engineers and top craftsman will provide expert technical guidance in order to produce a custom-tailored safe, manufactured to fit your exact specifications.



- **BULLION** - Rated TL-30
- **ULTRA VAULT** - Rated TL-30X6
- **SUPER TREASURY** - Rated TRTL-30X6
- **SUPER PLATINUM** - Rated TRTL-60X6



- **VDS CLASS V** - EN1143-1 Grade V
- * Approved for double door safes up to 8 feet high.



* VdS Approved. EN1143-1 Grade V Safe.



* VdS Approved. EN1143-1 Grade V Safes.

TREASURY ROOMS / STRONGROOMS

& VAULT DOORS



ISM safes USA Inc
1881 Route 46 Ledgewood, NJ 07852
www.ismsafes-usa.com

ISM

SINCE 1914

FEATURES:

WALL

Modular Panels - EN 1143-1 Class XII

The thickness of the panel is 169mm to 173mm. The panels are made of steel plates, a special filling material unique to ISM and two layers of Alchronite, ISM's patented flame and arc resistant alloy which provides dependable protection against fire and attacks by power drills, oxyacetylene flame and arc cutting.

DOOR

- EN 1143-1 Class XII
- UL 608 Class III

Two hour fire rating. The door is made of steel plates, a special filling material unique to ISM and two layers of Alchronite, ISM's patented flame and arc resistant alloy which provides dependable protection against fire and attacks by power drills, oxyacetylene flame and arc cutting. Massive hinges fitted with radial ball bearings and pressure ball bearings, for high durability and easy movement.

DOOR FRAME

One piece door frame. For strength and rigidity the door frame will surround the walls of the existing structure. The frame is protected by slabs of Alchronite, ISM's patented flame and arc resistant alloy.

LOCKING MECHANISM

ISM's DIAMOND Technology - Blast Protected.

Massive Boltwork System - 4-way engagement, 3-way active boltwork. Double locking mechanism - UL or VdS approved combination lock (mechanical or electronic) and a high security key. Highly sophisticated spring loaded glass plate re-lockers on all locks and a further protection by a drill shield.

LOCKS

A variety of UL / VdS listed Mechanical Combination Locks, Electronic Combination Locks and Biometric Locks. UL listed Time Lock may be fitted as an optional feature.

GRILLE GATE

A grille gate is provided which operable from inside as well as outside.

VAULT ROOM

SAFE DEPOSIT BOXES



Vault Room of an Israeli Bank

VAULT ROOM

CONSTRUCTION

Construction of the strongroom walls with ISM's anti burglary modular panels and the installation of the strongroom door.



Construction of a vault room in an existing building. The walls are built with ISM's anti burglary modular panels.

DOORS



OUR MARKETS

ISM Magen Goldman has acquired a worldwide reputation and boasts a variety of customers from around the world. ISM provides security solutions to government & military sectors, financial institutions and to a variety of commercial markets worldwide.

Government, Military & Police



Related Products: Treasury Rooms & doors, Bonker doors, High Security Safes, Gun Safes, Secured Cabinets.

Banks, Financial Institutions & Cash Management



Related Products: Treasury Rooms, ATM Protection, Vaults, High Security Safes, Safe Deposit Boxes, Teller Safes.

Jewelry, Diamonds & Precious Metals



Related Products: Treasury Rooms & doors, Vaults, High Security Safes, Secured Cabinets, Day Gates.

Pharmaceutical & Medical Institutions



Related Products: Treasury Rooms & doors, Vaults, High Security Safes, Secured Cabinets, Day Gates.

Commercial Businesses



Related Products: Treasury Rooms & doors, Vaults, High Security Safes, Cash Handling Safes, Secured Cabinets.

Residential



Related Products: High Security Safes, Luxury Safes, Home Safes, Gun Safes, Secured Cabinets.

ISM offers complete security solutions trusted by global leaders in security.
For every facet of protecting your operation safe, we've you covered.

Protecting your assets, providing peace of mind.
Since 1914

